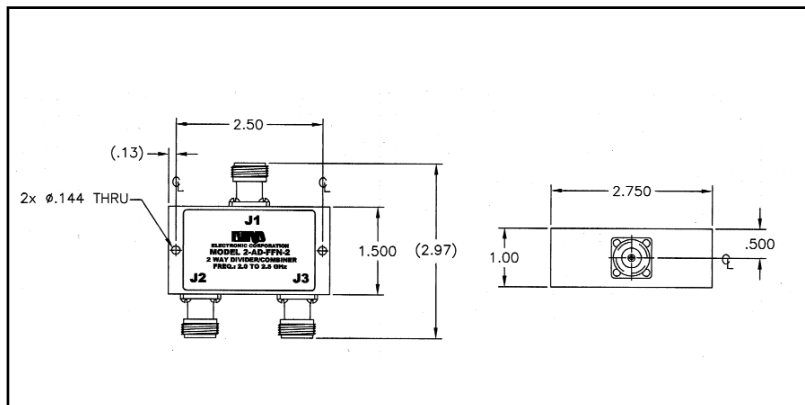


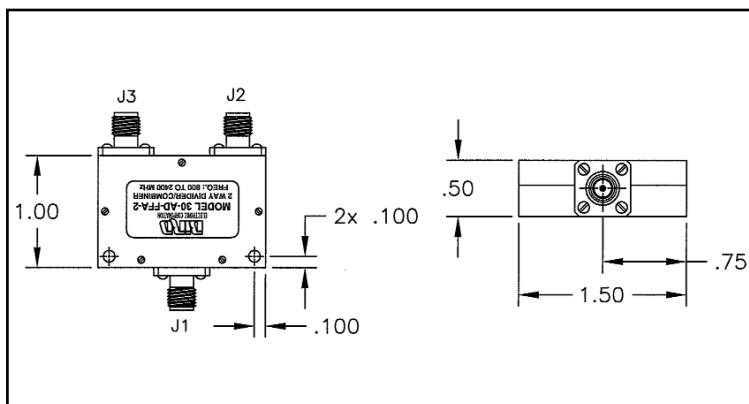
COMBINER/DIVIDER

2-AD-FFN-2 PCS Band Combiner/Divider 2 Watt, Combiner/Divider



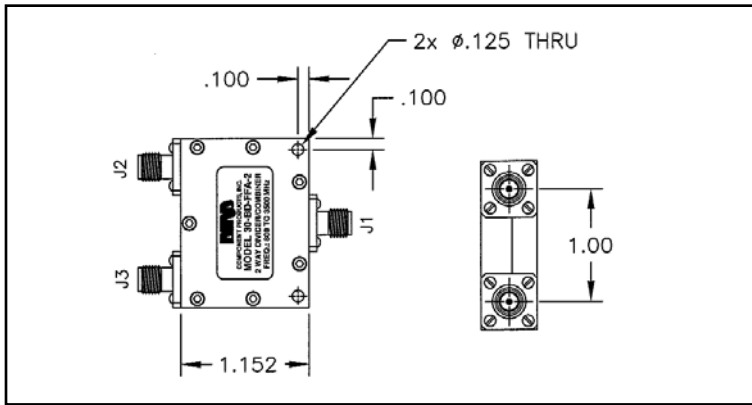
Model Number	2-AD-FFN-2 PCS Band Combiner/Divider
Power Rating	2 watts
Frequency Range	2.0 to 2.5 GHz
VSWR	1.17:1 max.
Housing	Aluminum
Finish	Tri-alloy
Nominal Size	2.75" L x 2.75" W x 1.062" H (69.85 mm x 69.85 mm x 26.92 mm)
Insertion Loss	0.6 dB (above 3 dB split)
Connector	N Female
Matching	1.5 degree phase dB amplitude
Isolation	20 dB min. (J2 to J3)

30-AD Series Combiner/Dividers 30 Watt, 800-2.4 GHz, SMA (F), N (F), Combiner/Divider

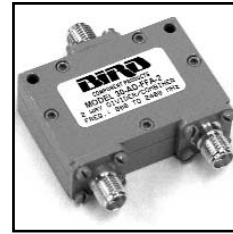


Model Number	30-AD Series Combiner/Dividers
Power Rating	30 watts into 1.15:1; 10 watts into 1.50:1; 1 watt into open
Frequency Range	800 - 2.4 GHz
Insertion Loss	0.5 dB max (above 3 dB split)
Isolation	25 dB min. (J2 to J3)
VSWR	1.2:1 max
Matching	2 degrees phase (typically 0.5) 0.5 dB amplitude
Housing	Aluminum
Finish	Yellow Iridite
Nominal Size	1.5" L x 1.0" W x 0.5" H (38.1 mm x 25.4 mm x 12.7 mm)
Connector	SMA Female, N Female

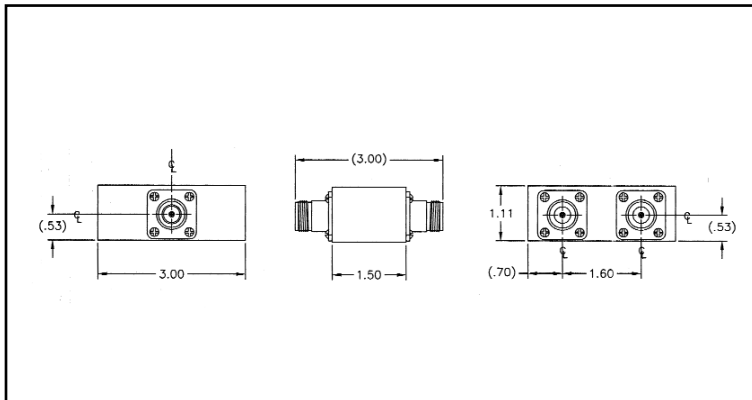
COMBINERS/DIVIDERS



30-BD Series Combiner/Divider
30 Watt, 800-3.5 GHz, SMA (F), N (F),
Combiner/Divider



Model Number	30-BD Series Combiner/Divider
Connector	SMA Female, N Female
Nominal Size	1.5" L x 1.0" W x 0.5" H (38.1 mm x 25.4 mm x 12.7 mm)
Finish	Yellow Iridite
Housing	Aluminum
Matching	2 degrees phase (typically 0.5) 0.5 dB amplitude
VSWR	1.2:1 max
Isolation	25 dB min. (J2 to J3)
Insertion Loss	0.5 dB max (above 3 dB split)
Frequency Range	800 MHz to 3.5 GHz
Power Rating	30 watts into 1.15:1; 10 watts into 1.50:1; 1 watt into open



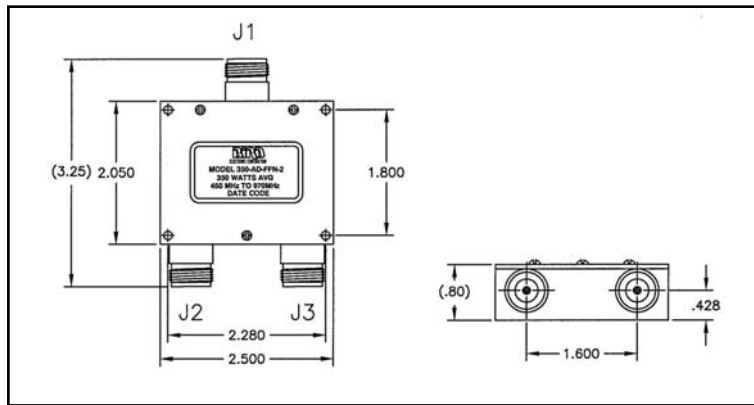
100-AD-FFN-02 Cellular Band Combiner/Divider
100 Watt, N (F), Combiner/Divider



Model Number	100-AD-FFN-02 Cellular Band Combiner/Divider
Connector	N Female
Nominal Size	1.15" H x 3.00" W x 3.00" D (29.21 mm x 76.2 mm x 76.2 mm)
Finish	Tri-Alloy Plated
Housing	Aluminum
Matching	1 degree phase (typically 0.2) (0.1 dB amplitude) (typically 0.05 dB)
VSWR	1.2:1 max (all ports)
Isolation	20 dB min (J2 to J3)
Insertion Loss	.25 dB max (above 3 dB split)
Frequency Range	806 to 906 MHz
Power Rating	100 Watts CW

COMBINERS/DIVIDERS

350-BD Series UHF Combiner/Dividers 350 Watt, N, 7/16 DIN (F), Combiner/Dividers



Model Number	350-BD Series UHF Combiner/Dividers
Connector	N, 7/16 Female
Nominal Size	3.27" L x 2.50" W x 0.80" H (83.06 mm x 63.5 mm x 20.32 mm)
Finish	Tri-Alloy
Housing	Aluminum
Matching	2 degree max
VSWR	In: (J1) 1.30:1 max; Out: (J2, J3) 1.20:1 max.
Isolation	20 dB min
Insertion Loss	0.4 dB
Frequency Range	460 to 970 MHz
Power Rating	350 Watts into matched loads; 150 Watts into mismatched loads

84-37 Series



Model Number	84-37-01*	84-37-02
Number of Outputs (X-way splitter)	2	4
Power Rating (Input)	800 W	1000 W
Frequency Range (MHz)	144-174	144-174
Insertion Loss	-3.2 dB	-6.4 dB
Ratio of Output/Input	50 %	25 %
Connectors	N Female	N Female

* Coated version available. Add "C" at the end of the model number, e.g. 84-01-09C

Navair Inc.
6375 Dixie Road Unit 7
Mississauga, Ontario
Canada L5T 2E7
Email:sales@navair.com
Tel: 905-565-1583
Toll Free: 1-800-668-7440
<http://www.navair.com/>
<http://www.navair.com/catalog>
http://www.navair.com/solutions_group